

4 way Power Divider SMA Connectors From 1GHz to 18GHz Rated at 30 Watts

Power Divider

- ◆ 4-Way Power Divider
- ◆ Wilkinson Design
- ◆ Wide Frequency Range
- ◆ Excellent Reliability
- ◆ Customization Available

The HRT-PD(2000/18000)-4S is a 4 way Wilkinson power divider that operates from 2 to 18 GHz and can handle up to 30 Watts . This SMA power divider offers 16 dB Isolation and 1.65:1 max VSWR. The package interface uses SMA on all of the ports.



Electrical Specifications			
Parameters	Units		Specifications
Pass Band Frequency	MHz		2000-18000
Nominal Splitter	dB	/	6.0
Insertion Loss	dB	Max	1.8
Input VSWR	/	Max	1.65:1
Output VSWR	/	Max	1.60:1
Isolation	/	Min	16
Amp. Unbalance	dB	Max	±0.4
Phase Unbalance	Deg	Max	±6
Power Handling	30 Watts(Forward Power); 1 Watt(Reverse Power)		
Electrical Specification Notes	Values at +25°C.		

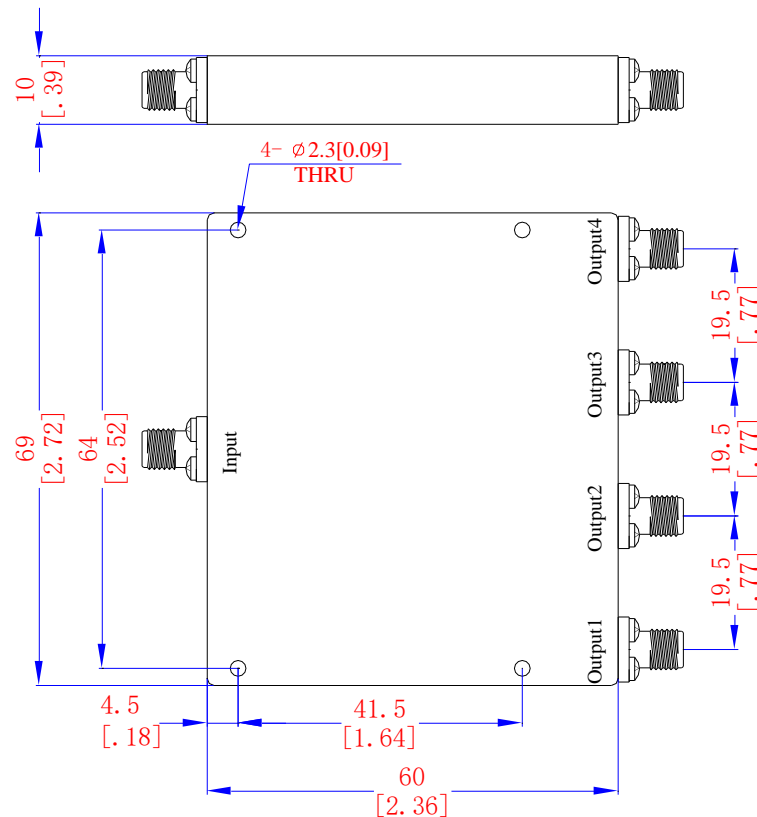
4 way Power Divider SMA Connectors From 1GHz to 18GHz Rated at 30 Watts

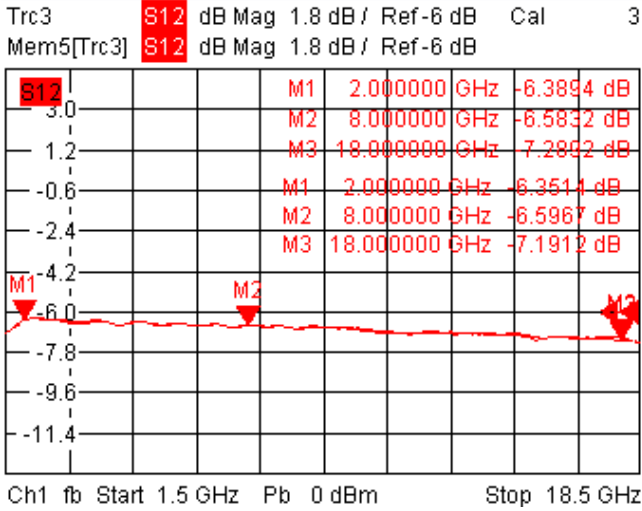
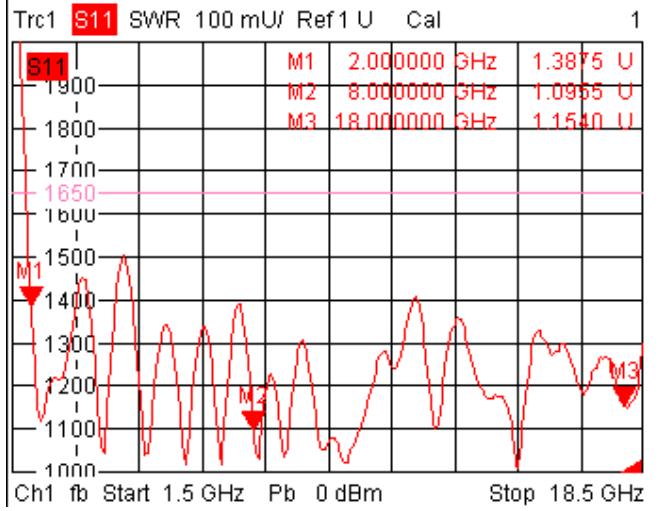
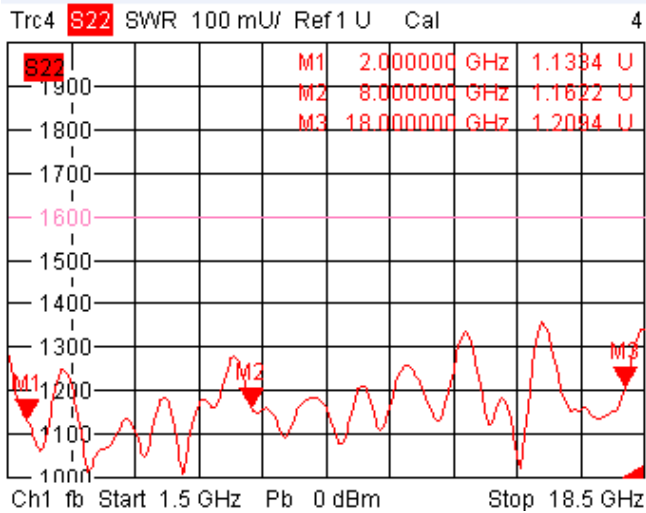
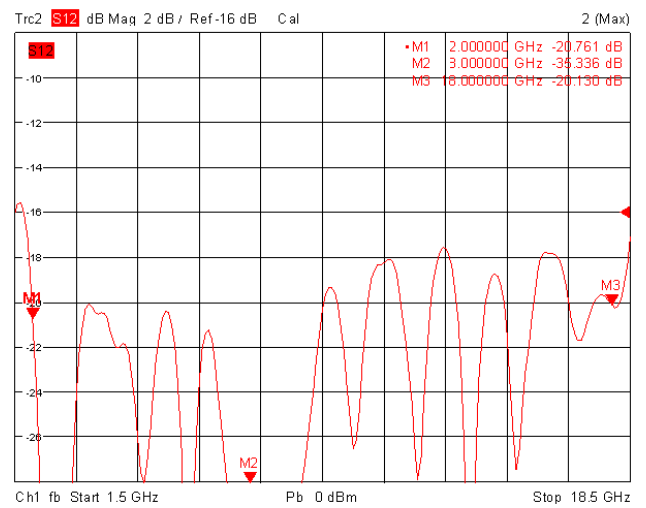
Mechanical Specifications		Environmental Specification	
Parameter	Specification	Parameter	Specification
Input Connectors	SMA-Female (50Ω)	Operating Temp.	-40°C to +70°C
Output Connectors	SMA-Female (50Ω)	Storage Temp.	-55°C to +85°C
ROHS	Yes	Environment Class	TBD
Material	Aluminum (6061)	Altitude	30,000 ft.
Weight(Kg)	TBD		(Epoxy Sealed Controlled environment)
Surface Finish	Black Painted	Humidity	95%RH at 40°C
Shock	20G for 11msec half sine wave,3 axis both directions		
Note			

Outline Drawing:

All Dimensions in mm (inches)

Outline Tolerances $\pm 0.3(0.012)$



4 way Power Divider SMA Connectors From 1GHz to 18GHz Rated at 30 Watts
Loss & Amplitude

Input VSWR

Output VSWR

Isolation

Phase Unbalance
