

50 ohms Coaxial Cavity Band Stop Filter

SN:0448-120725 Version: A0



Bandstop Filter

- ◆ High Rejection
- ◆ Low Insertion Loss
- ◆ Miniaturization
- ◆ Excellent Reliability
- ◆ Customization available



Electrical Specifications

Parameters	Units		Specifications
Pass Band Frequency	MHz		2000-4150MHz & 4450-8000MHz
Insertion Loss	dB	Max	1.5@Pass Band
Ripple	dB	Max	0.5
VSWR	/	Max	2.0:1
Group Delay Variation	ns	Max	TBD
Phase Matching	deg	Max	TBD
Rejection	≥40dB@4280-4320MHz		
Power Handling	5W cw max		

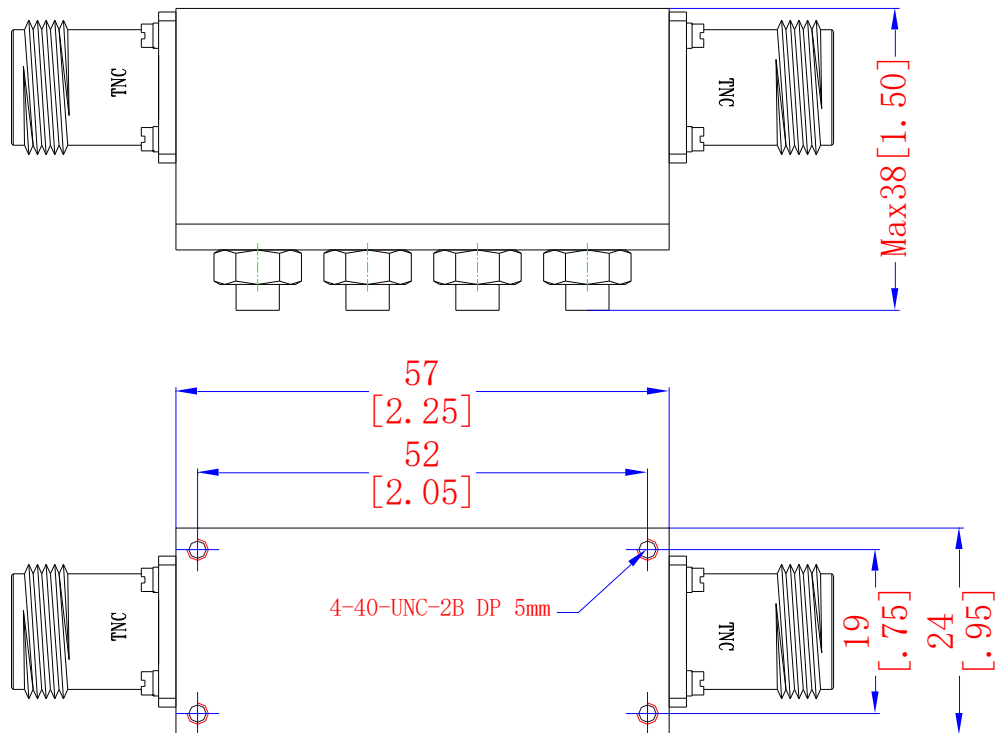
50 ohms Coaxial Cavity Band Stop Filter

SN:0448-120725 Version: A0

Mechanical Specifications		Environmental Specification	
Parameter	Specification	Parameter	Specification
Input Connectors	TNC-Female (50Ω)	Operating Temp.	0°C to +40°C
Output Connectors	TNC-Female (50Ω)	Storage Temp.	-55°C to +85°C
ROHS	Yes	Environment Class	TBD
Material	Aluminum (6061)	Altitude	30,000 ft.
Weight(Kg)	TBD		(Epoxy Sealed Controlled environment)
Surface Finish	Black Painted	Humidity	95%RH at 40°C
Shock	20G for 11msec half sine wave,3 axis both directions		
Note			

Outline Drawing:

All Dimensions in mm (inches)

 Outline Tolerances $\pm 0.3(0.012)$


Test Plot
